

WHY THE SL17 OUTSHINES THE COMPETITION



- Constructed of marine-grade virgin brass. Feel, see, experience the difference!
- Includes standard 10' wire lead to minimize the length of connection needed, simplifying installations.
- Constructed with high quality CREE LED chips. CREE is the leading LED source provider in the world.
- This quality fixture weighs over 2lbs.
- Classic design that blends into any landscape providing a 16' spread of light.
- Smarter design that complies with IDA guidelines to minimize light pollution.
- Ongoing research and development, staying a step ahead of the competition.



STERLING  LIGHTING

201 Davis Drive, Suite G
Sterling, VA 20164
www.sterling-lighting.com
1-800-939-1849

SL17 RILEY LIGHT

INTENDED USE

The SL17 is the ideal solution for landscape lighting professionals to unobtrusively illuminate pathways, garden beds, and more. Its compact size and even light distribution make it the perfect fixture to light areas without drawing attention to the fixture itself. It's the perfect path light for those who don't like path lights. Designed for use with the SL02 In Line light, the Riley gives you the flexibility to do more with your lighting fixtures.

CONSTRUCTION

Crafted from top of the line, marine-grade virgin brass with a beautiful antique finish, this fixture is built to last. Designed around the SL02, the Riley comes standard with two 7" 316 stainless steel nails for easy installation.

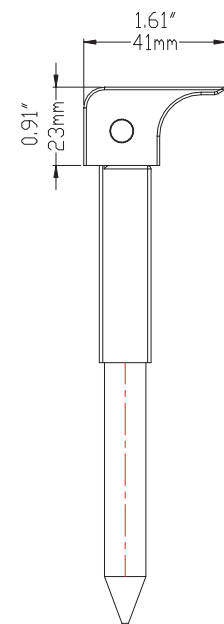
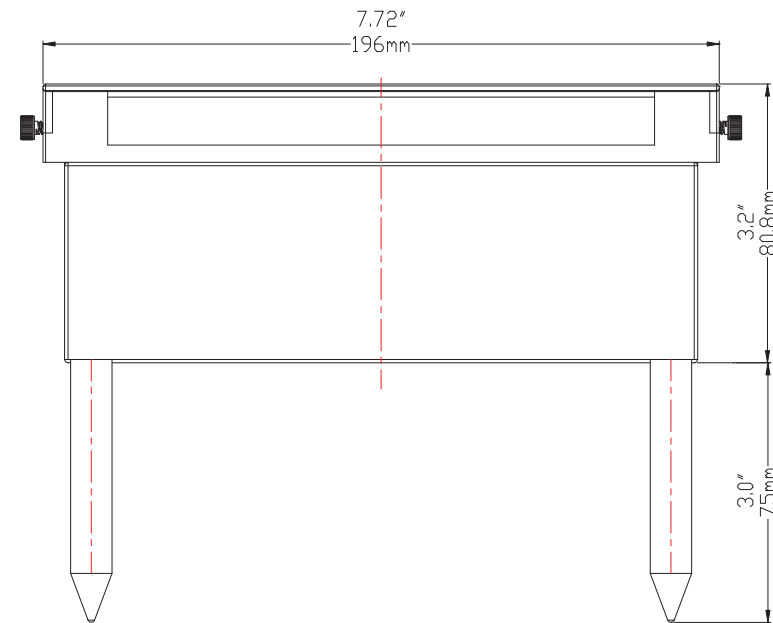
ELECTRICAL SYSTEM

All electronic drivers comply with US and Canadian electrical codes.
Lumen output: 80lm.
Easy replacement of driver or LED chip if service is needed.

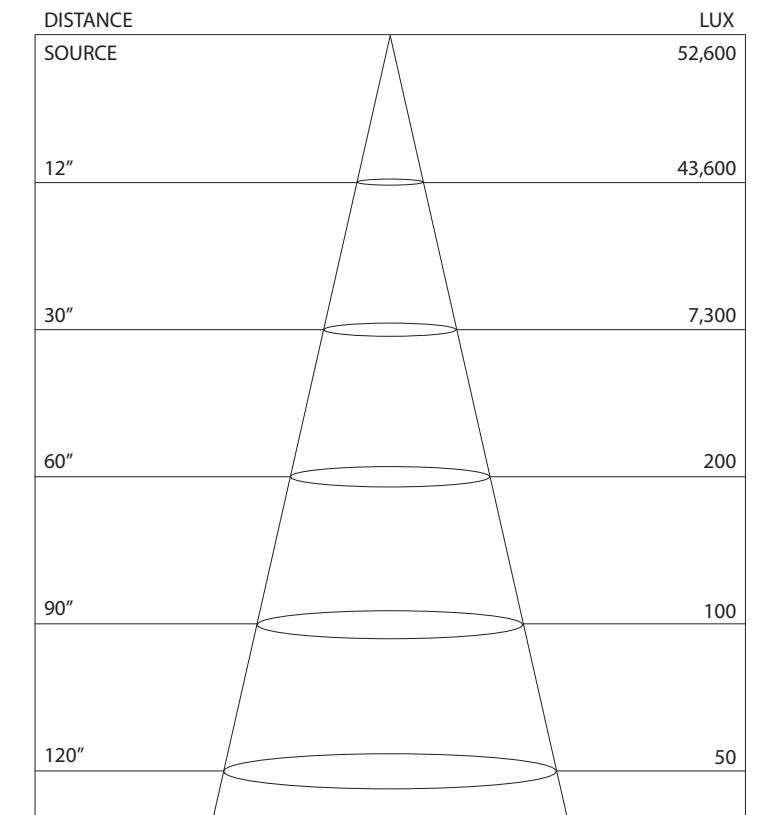
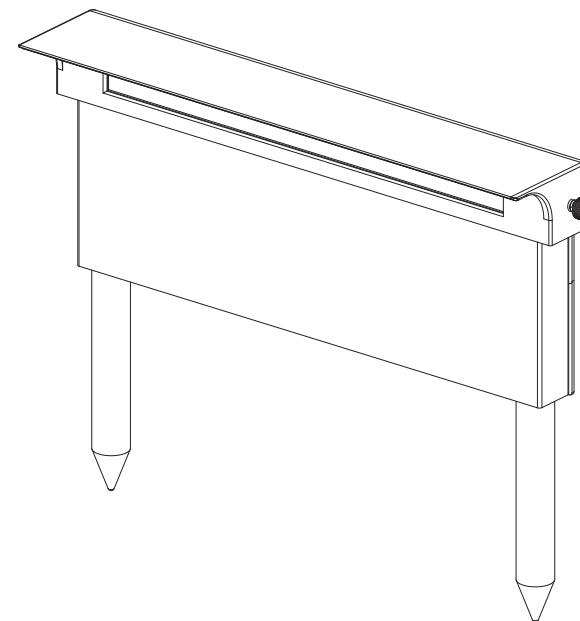
LISTING

ETL, UL1838, RoHS, IP66 rated.

Note: 3" stainless steel threaded nails are also available. SL02 In Line light comes sold separately.



FIXTURE: DEDICATED LED PATH LIGHT		
NAME: SL17 RILEY	TYPE: DEDICATED LOW VOLTAGE LED	WEIGHT: 2.2LBS
LIGHT SPREAD: 13FT-16FT	OPERATING VOLTAGE: 9V -15V AC	WATTAGE: 4.2W
COLOR TEMP: 3000K	WIRE LEAD: 10' 18AWG	TEST: BASED ON 330LM DISTANCE



Note: The curves indicate the illuminated area and the average illumination when the luminaire is at different distances.

