

WHY THE SL04 OUTSHINES THE COMPETITION



- Constructed of marine-grade virgin brass. Feel, see, experience the difference!
- 140° optic spreads light evenly across any landscape or architectural feature.
- Constructed with high quality CREE LED chips. CREE is the leading LED source provider in the world.
- Control light intensities ranging from 100 lumens to 400 lumens.
- Includes standard 10' wire lead to minimize the length of connection needed, simplifying installations.
- Ongoing research and development, staying a step ahead of the competition.



STERLING  LIGHTING

201 Davis Drive, Suite G
Sterling, VA 20164
www.sterling-lighting.com
1-800-939-1849

SL04 MINI FLOOD LIGHT

SL04

INTENDED USE

The SL04 is the ideal solution for landscape lighting professionals to illuminate walls, signs, tree canopies, and similar applications requiring widespread lighting. This mini flood light offers powerful radiance in a compact size, making it ideal for applications needing unobtrusive lighting. Flood lights also provide safety and security for large areas.

CONSTRUCTION

The outside casing is crafted from top of the line, marine-grade virgin brass with a beautiful antique finish. The ground mount is constructed of thick ABS plastic to ensure the fixture stays in place. Quality materials and our expert design make the SL04 beautiful in aesthetic and durable in application.

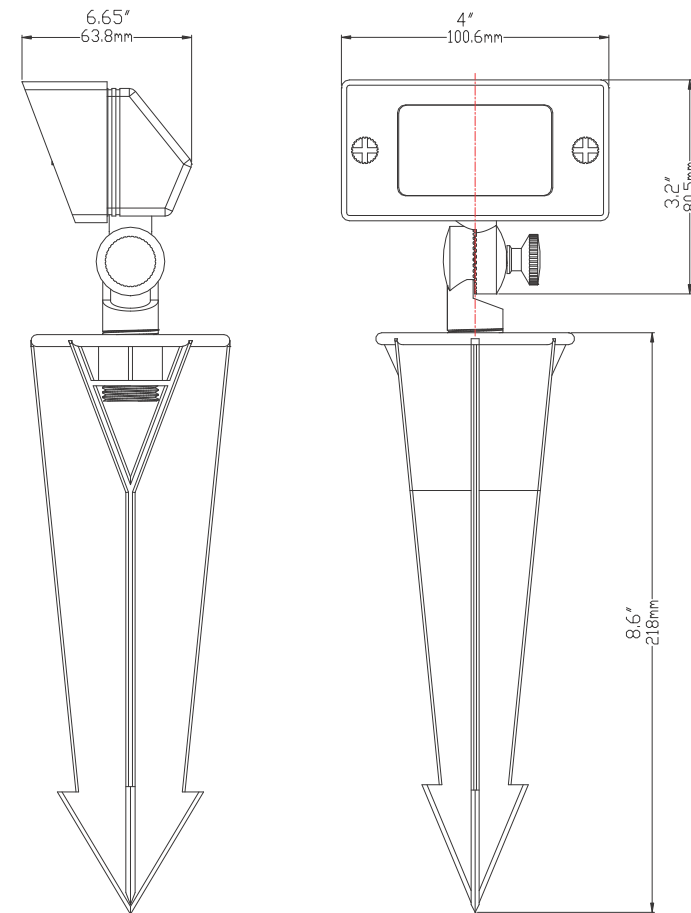
ELECTRICAL SYSTEM

All electronic drivers comply with US and Canadian electrical codes.
Adjustable lumen options: 400lm, 320lm, 240lm, 180lm, and 100lm;
Lens options: clear or frosted.
Easy replacement of driver or LED chip if service is needed.

LISTING

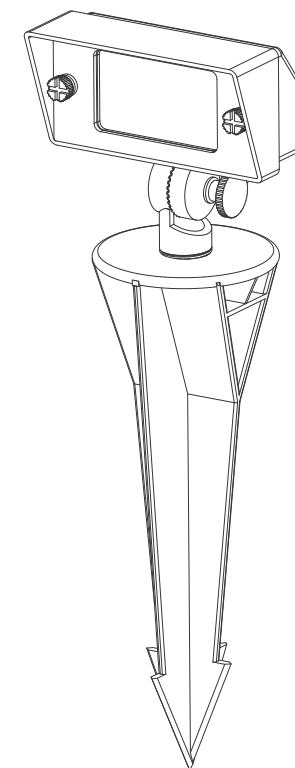
ETL, UL1838, RoHS rated.

Note: Widest spread of any flood light. Available with ground mount, surface mount, or extension stake.



FIXTURE: DEDICATED LED MINI FLOOD		
NAME: SL04	TYPE: DEDICATED LOW VOLTAGE LED	WEIGHT: 3.5LBS
BEAM ANGLE: 140° (WIDTH)	OPERATING VOLTAGE: 9V -15V AC	WATTAGE: 1.5W(MIN) - 5W(MAX)
COLOR TEMP: 2700K/3000K	WIRE LEAD: 10'-0" 18AWG	TEST: BASED ON 330LM DISTANCE

SL04 ADJUSTABLE LUMEN INSTRUCTIONS	
NO PINS UP: 400 LUMENS (MAX)	1, 2 & 3 PINS UP: 180 LUMENS
1 PIN UP: 320 LUMENS	1, 2, 3 & 4 PINS UP: 100 LUMENS (MIN)
1 & 2 PINS UP: 240 LUMENS	(PINS ON DRIVER)



DISTANCE	LUX
SOURCE	80,400
12"	12,560
30"	2,140
60"	530
90"	240
120"	130

Note: The curves indicate the illuminated area and the average illumination when the luminaire is at different distances.

