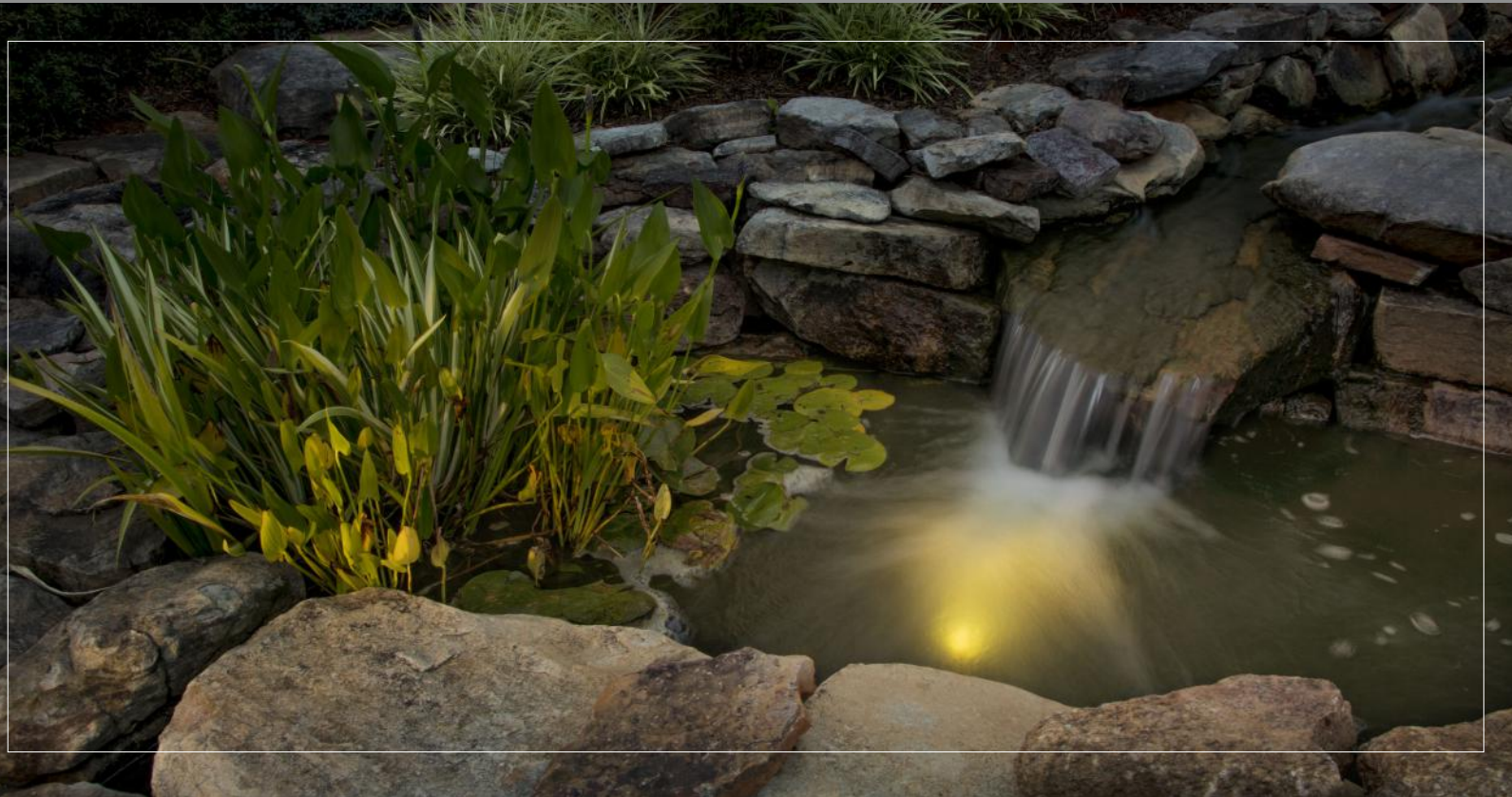


WHY THE SL09 OUTSHINES THE COMPETITION



- Constructed of premium-grade, 316 stainless steel. Feel, see, experience the difference!
- Includes standard 18' wire lead to minimize the length of connection needed, simplifying installations.
- Constructed with high quality CREE LED chips. CREE is the leading LED source provider in the world.
- This quality fixture weighs 3lbs.
- Classic design that blends into any waterscape providing a 12' spread of light.
- Smarter design that allows the entire fixture to stay sealed underwater.
- Its heavy base is removable for easy installation in rocks.
- Ongoing research and development, staying a step ahead of the competition.



STERLING  LIGHTING

201 Davis Drive, Suite G
Sterling, VA 20164
www.sterling-lighting.com
1-800-939-1849

SL09 UNDERWATER LIGHT

INTENDED USE

The ultimate underwater light for landscape lighting professionals to illuminate ponds, fountains, waterfalls, and other waterscapes. Its compact size and 18' wire lead makes this light an incredibly versatile fixture. The SL09 achieves a modern look with its 316 stainless steel base and crystal-clear lens. Create ambience and bring water features to life with this sleek and powerful light.

CONSTRUCTION

The outside of the fixture is made of premium-grade, 316 stainless steel, which ensures durability, even in coastal areas with high concentrations of saline. It is completely sealed to keep water out, and its heavy base is removable for easy installation in rocks. Its crystal clear, premium-grade acrylic lens helps it to disappear in the water.

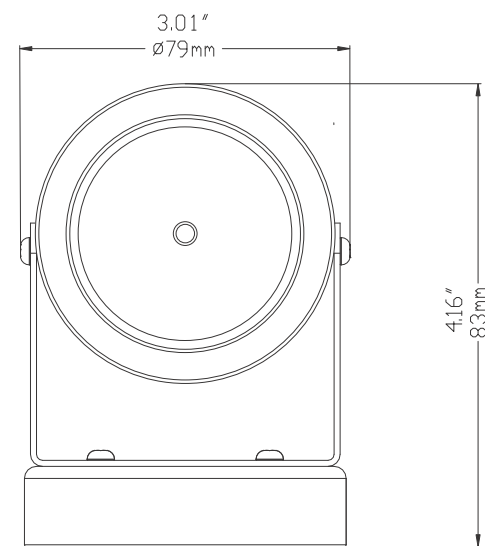
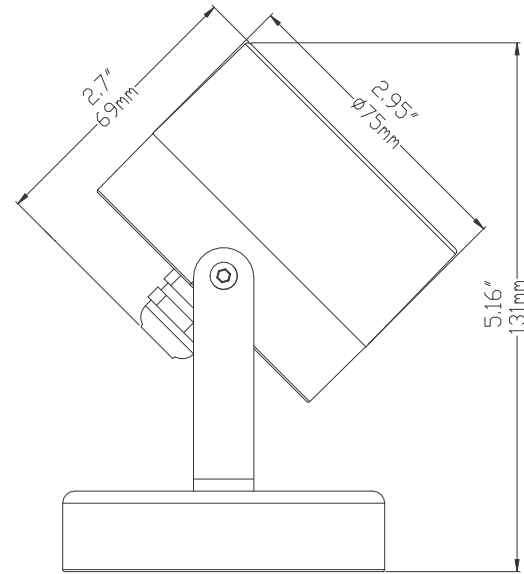
ELECTRICAL SYSTEM

All electronic drivers comply with US and Canadian electrical codes.
Lumen output: 450lm

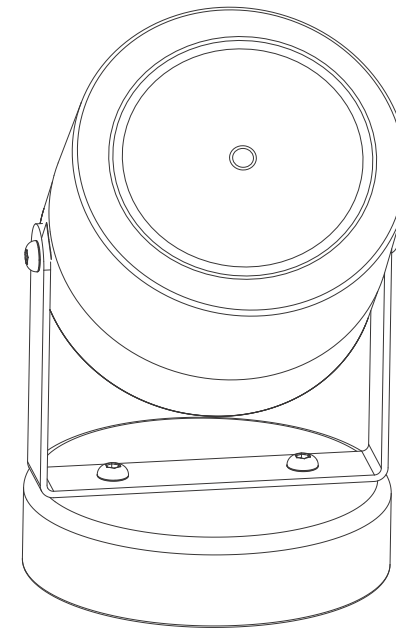
LISTING

UL 1838, IP68 rated.

Note: If possible, connections should remain out of water. If not, use an underwater connector.



FIXTURE: DEDICATED LED UNDERWATER LIGHT		
NAME: SL09	TYPE: DEDICATED LOW VOLTAGE LED	WEIGHT: 3LBS
LIGHT SPREAD: 12FT	OPERATING VOLTAGE: 9V -15V AC	WATTAGE: 5W
COLOR TEMP: 3000K	WIRE LEAD: 18' 18AWG	TEST: BASED ON 330LM DISTANCE



DISTANCE	LUX
SOURCE	52,600
12"	43,600
30"	7,300
60"	200
90"	100
120"	50

Note: The curves indicate the illuminated area and the average illumination when the luminaire is at different distances.

