

WHY THE SL02 OUTSHINES THE COMPETITION



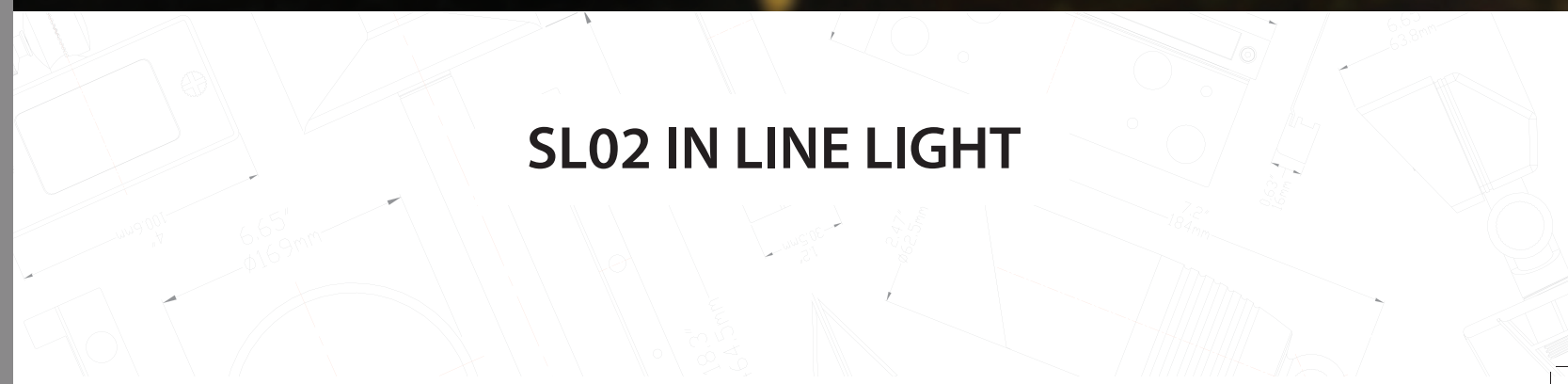
- Constructed of marine-grade virgin brass. Feel, see, experience the difference!
- Includes standard 10' wire lead to minimize the length of connection needed, simplifying installations.
- Constructed with high quality CREE LED chips. CREE is the leading LED source provider in the world.
- Completely sealed fixture with an IP66 rating.
- Multiple mounting brackets to allow installation for both new construction and post construction applications.
- Versatile design easily allows this popular fixture to function as a hand-rail light.
- Designed for flush mount application and easy wire access utilizing an embedded wire channel.
- Ongoing research and development, staying a step ahead of the competition.



STERLING  LIGHTING

201 Davis Drive, Suite G
Sterling, VA 20164
www.sterling-lighting.com
1-800-939-1849

SL02 IN LINE LIGHT



INTENDED USE

The SL02 is the ideal ambient solution for landscape lighting professionals to accent countertops, steps, seating walls, retaining walls, edges, and more. This in line light offers powerful lighting in a compact size, making it ideal for applications needing unobtrusive lighting. In line lights provide safety and security by illuminating surfaces or edges. The thin built-in mount disappears into the fixture allowing light to be installed almost anywhere including stacked stone.

CONSTRUCTION

The exterior casing is crafted from top of the line, marine-grade virgin brass with a beautiful antique finish. The mounting bracket is thin, durable stainless steel with three mounting options for both new construction and post construction applications. Designed to hide 3.5" of wire for simple access and flush mount installation.

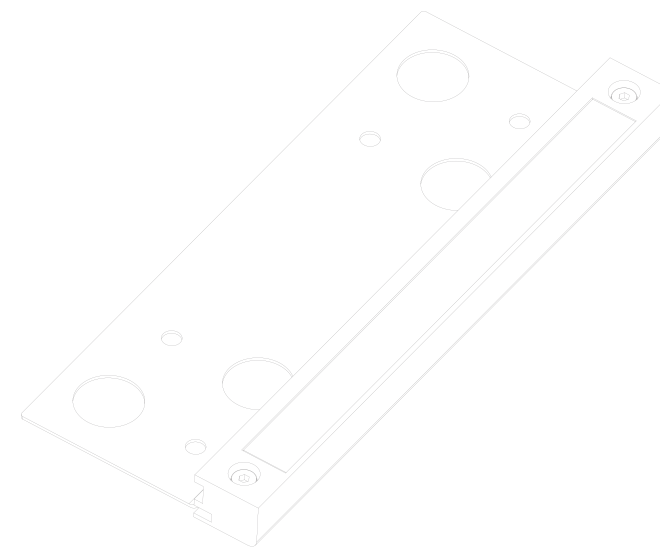
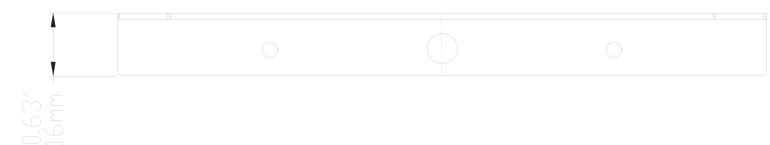
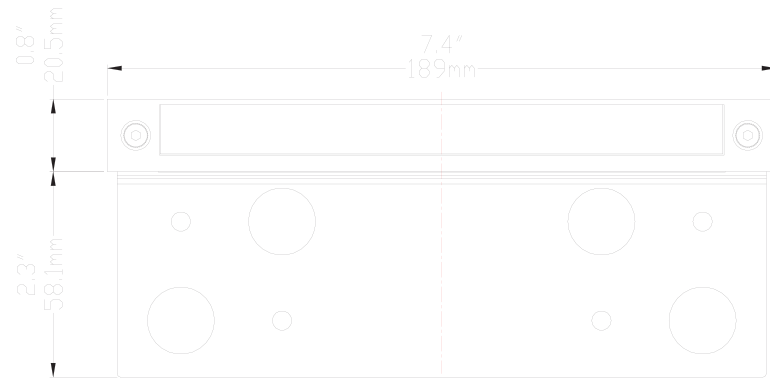
ELECTRICAL SYSTEM

All electronic drivers comply with US and Canadian electrical codes.
Lumen output: 80lm.

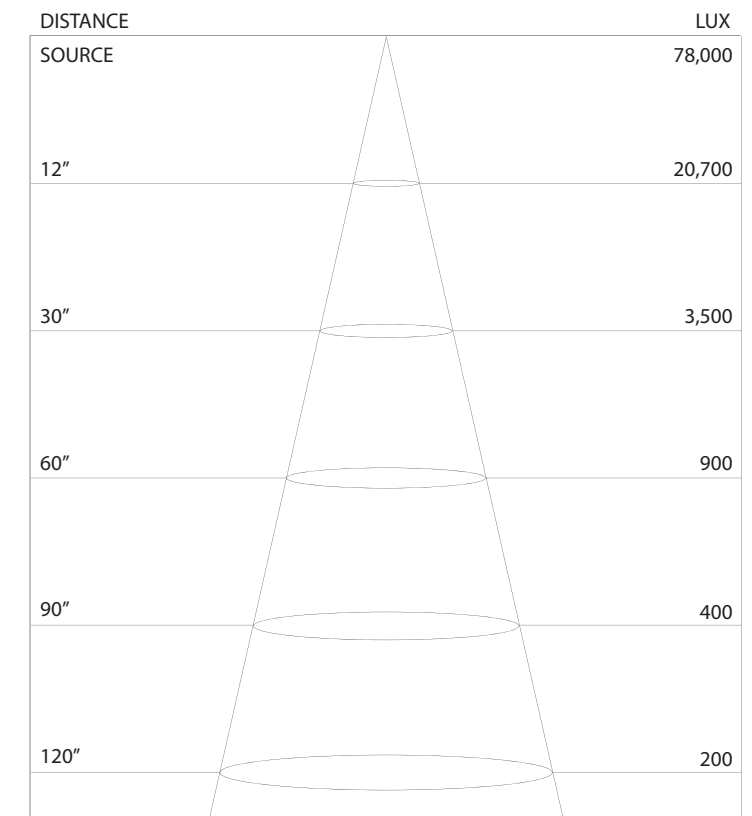
LISTING

ETL, UL1838, RoHS, IP66 rated.

Note: Perfectly even light distribution using our patent pending LED technology.



FIXTURE: INTERGRATED IN LINE LIGHT		
NAME: SL02	TYPE: INTEGRATED LOW VOLTAGE LED	WEIGHT: 1.5LBS
BEAM ANGLE: 140° (WIDTH)	OPERATING VOLTAGE: 9V - 15V AC	WATTAGE: 0.8W
COLOR TEMP: 3000K	WIRE LEAD: 10' 18AWG	TEST: BASED ON 330LM DISTANCE



Note: The curves indicate the illuminated area and the average illumination when the luminaire is at different distances.

