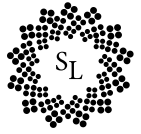


FEATURES AND SPECIFICATIONS SHEET FOR THE TFA05



FIXTURE: INTEGRATED LED STEP LIGHT		
NAME: TFA05	TYPE: INTEGRATED LOW VOLTAGE LED	WEIGHT: 1.8LBS
BEAM SPREAD: 120°	OPERATING VOLTAGE: 9V -16V AC	WATTAGE: 0.5W(MIN) - 3.5W(MAX)
COLOR TEMP: 2700K/3000K	WIRE LEAD: 15'-0" 18AWG	LUMEN OUTPUT: 5LM-50LM

INTENDED USE

Featuring adjustable lumen and color temperature settings, the TFA05 Step Light offers the options you need to make every lighting design and installation a success. Fully integrated to protect against moisture, the TFA05 is the ideal fixture for illuminating patios, sitting walls, staircases, and other hardscapes features.

TFA05 ADJUSTABLE LUMEN SETTINGS (ON EXTERNAL DIAL)	
SETTING 1: 5 LUMENS (MIN)	SETTING 3: 35 LUMENS
SETTING 2: 20 LUMENS	SETTING 4: 50 LUMENS (MAX)

TFA05 ADJUSTABLE COLOR TEMPERATURE SETTINGS (ON EXTERNAL DIAL)	
SETTING 1: 2700K	SETTING 2: 3000K

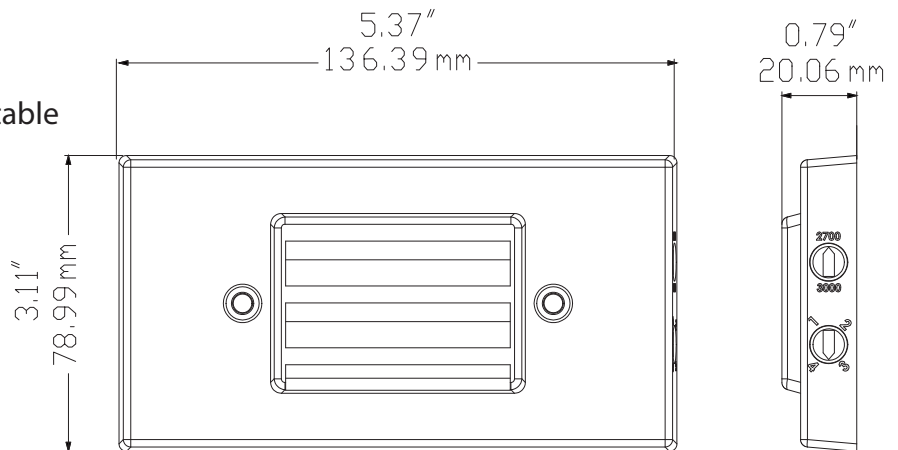
CONSTRUCTION

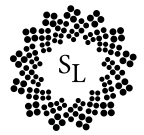
The outside casing is crafted from marine-grade, virgin brass with a beautiful antique finish. Inside the fixture, the TFA05's 12 LEDs provide an even spread of light.

ELECTRICAL SYSTEM

All electronic drivers comply with US and Canadian electrical codes. Easy replacement of driver and LED cup if service is needed.

Note: Adjustable lumen output and adjustable color temperature settings.





Sterling Lighting LLC
TFA05 Spec Sheet

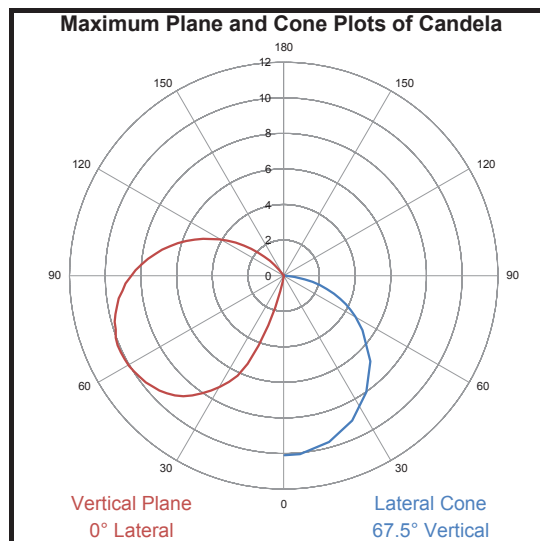
Electrical Test Conditions						
Temp	Voltage	Current	Power	Power Factor	Frequency	Current THD
25.2 °C	13.95 VAC	0.4225 A	5.180 W	0.879	60 Hz	44.7 %

Summary of Results	
Total Lumen Output	23.19 Lumens
Luminaire Efficacy	4.4 lm/w
Maximum Candela	10 Candela
IES Roadway Classification	Type I, Very Short
Cutoff Classification	Noncutoff
BUG Rating	B0 U1 G0
CCT	2903 K
CRI	97.8
Duv	-0.0020
TM-30 Rf	94.5
TM-30 Rg	102.6

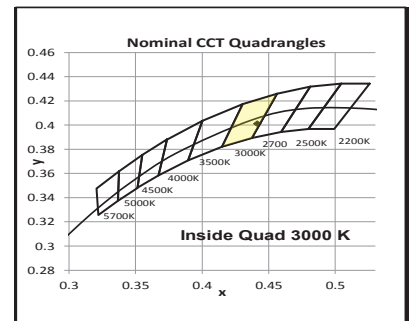
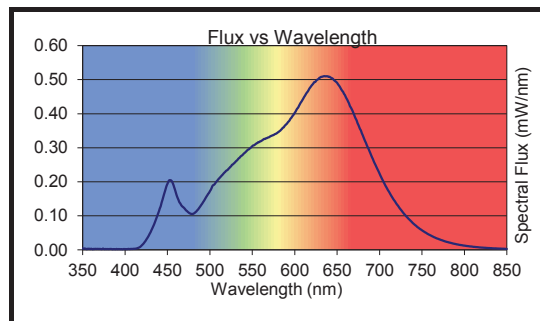
Intensity Through Maximum Plane (Candlepower)		
Angle	Candlepower	Lumens
0	0	
5	0	0
10	0	
15	2	0
20	4	
25	6	1
30	7	
35	8	1
40	9	
45	9	2
50	10	
55	10	3
60	10	
65	10	3
70	10	
75	10	3
80	9	
85	9	3
90	9	
95	8	2
100	7	
105	7	2
110	6	
115	5	1
120	4	
125	3	1
130	2	
135	2	0
140	1	
145	0	0
150	0	
155	0	0
160	0	
165	0	0
170	0	
175	0	0
180	0	

Note: ISO FootCandle Plot Not Applicable

Luminaire Classification System (LCS)			
LCS	Zone	Lumens	%
FL	(0-30)	1	4%
FM	(30-60)	6	28%
FH	(60-80)	6	27%
FVH	(80-90)	3	13%
BL	(0-30)	0	0%
BM	(30-60)	0	0%
BH	(60-80)	0	0%
BVH	(80-90)	0	0%
UL	(90-100)	2	11%
UH	(100-180)	4	17%



Color Rendering Index Details	
Ra (CRI)	97.8
R1	99.8
R2	98.7
R3	95.2
R4	97.3
R5	99.1
R6	97.5
R7	97.6
R8	97.0
R9	92.7
R10	95.3
R11	96.3
R12	89.0
R13	99.7
R14	96.3



Chromaticity Coordinates	
Chromaticity (x)	0.4413
Chromaticity (y)	0.4013
Chromaticity (u)	0.2546
Chromaticity (v)	0.3473
Chromaticity (u')	0.2546
Chromaticity (v')	0.5209

Testing was performed in accordance with LM-79-08
The results contained in this summary pertain only to report #12610122.02