

FEATURES AND SPECIFICATIONS SHEET FOR THE TFA01

FIXTURE: DEDICATED UP LIGHT		
NAME: TFA01 UP LIGHT	TYPE: DEDICATED LOW VOLTAGE LED	WEIGHT: 5.2LBS
BEAM ANGLE: 40° (WIDTH)	OPERATING VOLTAGE: 9V - 16V AC	WATTAGE: 0W - 12W
COLOR TEMP: 3000K	WIRE LEAD: 10' 18AWG	LUMEN OUTPUT: 0LM - 1,150LM

INTENDED USE

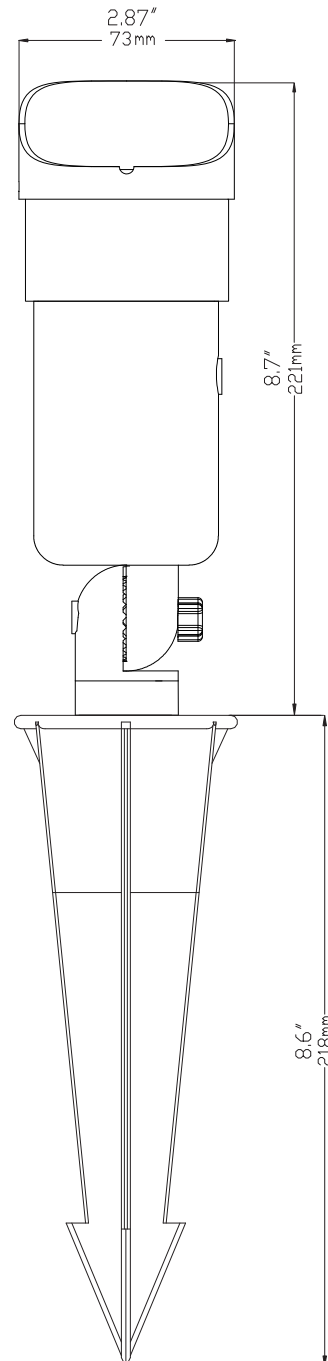
The TFA01 Up Light is our powerhouse fixture, weighing in at over 5 lbs for incredible durability and reliability in any application. With an external dial to control its seven lumen settings—up to 1,150 lm—this tool-free adjustable fixture makes every installation, whether residential or commercial, effortless. Interchangeable optics and a threaded base that pivots make this versatile fixture easy to adjust.

CONSTRUCTION

The exterior housing is crafted from marine-grade, virgin brass with a protective UV coating and an antique bronze finish. Inside the fixture, you'll find our brand-new American-made driver with built-in safety features to increase the longevity of the TFA01's electronics. Each fixture comes standard with a Hex Lens and a 9" Brass Stake.

ELECTRICAL SYSTEM

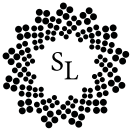
All electronic drivers comply with US and Canadian electrical codes.





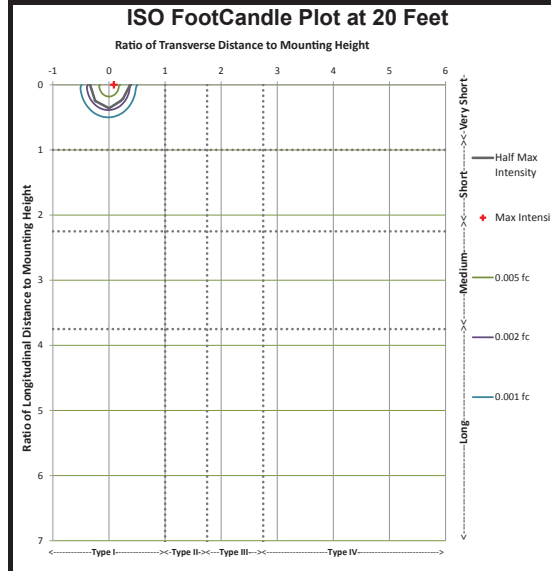
Sterling Lighting LLC

TFA01 Up Light



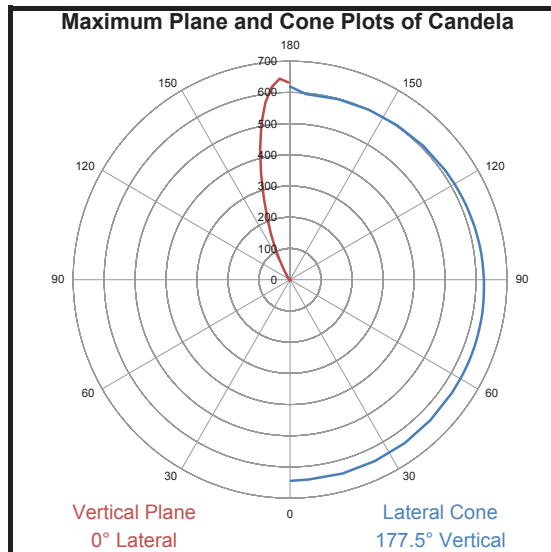
Electrical Test Conditions						
Temp	Voltage	Current	Power	Power Factor	Frequency	Current THD
24.5 °C	14.97 VAC	0.3308 A	2.816 W	0.569	60 Hz	142 %

Summary of Results	
Total Lumen Output	238.2 Lumens
Luminaire Efficacy	84.5 lm/w
Maximum Candela	2 Candela
IES Roadway Classification	Type I, Very Short
Cutoff Classification	Noncutoff
BUG Rating	B0 U3 G0
CCT	3030 K
CRI	97.7
Duv	0.0013
TM-30 Rf	92.0
TM-30 Rg	98.0

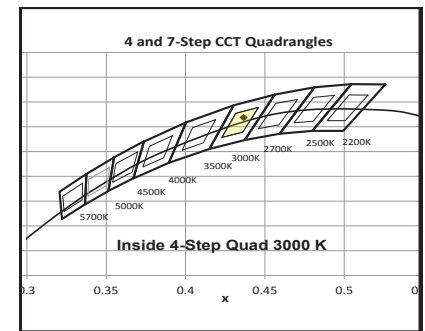
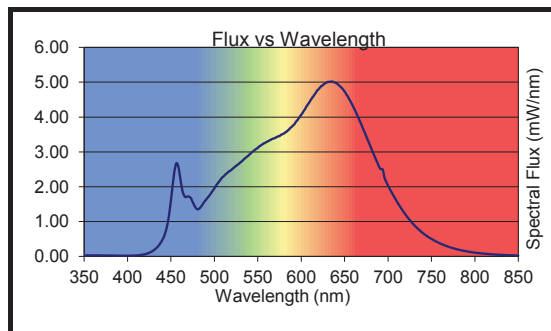


Intensity Through Maximum Plane (Candlepower)		
Angle	Candlepower	Lumens
0	2	
5	2	0
10	2	0
15	2	0
20	1	
25	1	0
30	0	
35	0	0
40	0	
45	0	0
50	0	
55	0	0
60	0	
65	0	0
70	0	
75	0	0
80	0	
85	0	0
90	0	
95	0	0
100	1	
105	1	0
110	1	
115	2	1
120	3	
125	7	4
130	8	
135	11	9
140	14	
145	22	20
150	48	
155	111	57
160	208	
165	349	94
170	508	
175	620	54
180	632	

Luminaire Classification System (LCS)			
LCS	Zone	Lumens	%
FL	(0-30)	0	0%
FM	(30-60)	0	0%
FH	(60-80)	0	0%
FVH	(80-90)	0	0%
BL	(0-30)	0	0%
BM	(30-60)	0	0%
BH	(60-80)	0	0%
BVH	(80-90)	0	0%
UL	(90-100)	0	0%
UH	(100-180)	238	99%



Color Rendering Index Details	
Ra (CRI)	97.7
R1	99.2
R2	99.4
R3	98.5
R4	97.2
R5	97.7
R6	97.9
R7	96.2
R8	95.4
R9	91.6
R10	98.6
R11	99.3
R12	81.9
R13	99.2
R14	98.2



Chromaticity Coordinates	
Chromaticity (x)	0.4366
Chromaticity (y)	0.4074
Chromaticity (u)	0.2489
Chromaticity (v)	0.3484
Chromaticity (u')	0.2489
Chromaticity (v')	0.5226

Testing was performed in accordance with LM-79-08
The results contained in this summary pertain only to report #13330035.07

WHY THE TFA01 OUTSHINES THE COMPETITION



- Constructed of marine-grade virgin brass. Feel, see, experience the difference!
- Includes standard 10' wire lead to minimize the length of connection needed, simplifying installations.
- Constructed with high quality CREE LED chips. CREE is the leading LED source provider in the world.
- Control multiple light intensities up to 1,150 lumens with an external dial.
- American-made driver with built-in safety features to prevent premature failures.
- Smarter design including an adjustable base that allows you to get the perfect angle every time.
- Premium accessories come standard, including our Hex Lens to reduce glare and a durable 9" Brass Stake.
- Ongoing research and development, staying a step ahead of the competition.